

## Hydrant shutoff valve F352 and F353



### 01 F352 Hydrant shutoff valve

The Meggitt F352 hydrant shutoff valve is a lanyard operated 6-inch by 4-inch shutoff valve designed, tested, and found to fully comply with the requirements of the EI 1584 4th edition specifications. The Meggitt F353 hydrant shutoff valve is similar to the F352 except it has a 4 inch ASA inlet flange and is nearly 4-inches shorter.

The F352/F353 hydrants are provided with both an automatic and a manual means of closing off the main chamber to allow removal and maintenance of the servo assembly and strainer while the main valve is still under pressure.

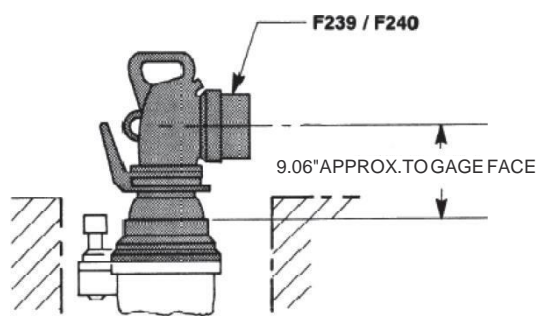
See note below.

\* Note! Under hydrant should always be turned off prior to any maintenance.

### 02 Key Features

- Fully complies to the latest edition of the EI 1584 requirements
- ANSI 150 lb. rated flange mates 6-inch ANSI 300 lbs. flange (F352)
- Portions of valve are maintainable in pit with valve under pressure
- Air deadman pilot control available
- Four mesh stone guard standard
- 20 mesh internal strainer optional
- 4-inch API outlet
- Fits in 18-inch diameter pit
- Available with dual pilot shutoff as a modification
- Unit meets NFPA 407 requirements

### 03 Key Specification & Dimensions



Hydrant Coupler Installation

#### Mating components

Both the F352 and F353 are designed to be used with hydrant couplers.

The Meggitt couplers conforming to this requirement are as follows:

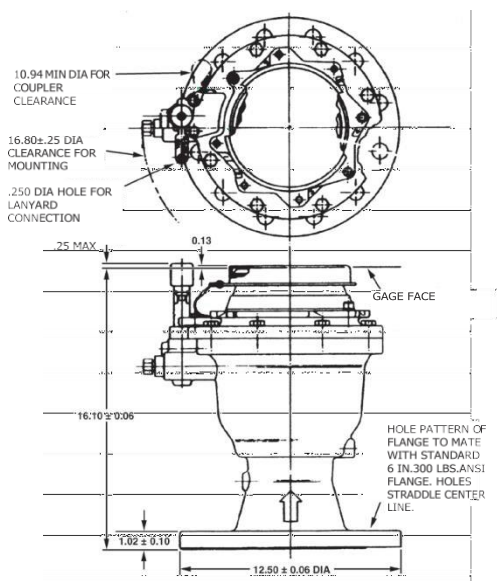
- F239 Hydrant coupler - Upgraded
- F239Y
- F250- Upgraded
- F251
- CCMY8500M2 - Upgraded
- CCMY8500M3

\* Note! Opening and closing time may vary slightly with inlet pressure.

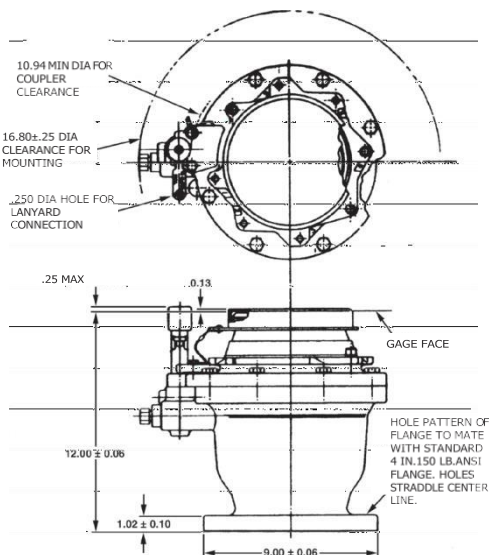
## Hydrant shutoff valve F352 and F353

### 03 Key Specification & Dimensions

#### F352



#### F353



### 04 Operating characteristics

Max. operating pressure 275 PSI ( 18.7 BAR )

Opening time 5 to 10 seconds

Closing time adjustable from two to five seconds  
(factory set at five seconds)

Pressure drop F352 - 14.5 PSI ( 1.00 BAR )  
at 4500 1/min. (1189USGM)

Weight F352 - 40Kg (88 lbs)

Peak surge pressure F352 - 305 PSI (21 BAR)

Max. operating pressure 275 PSI (18.7 BAR)

Opening time 5 to 10 seconds

Closing time adjustable from two to five seconds  
(factory set at five seconds)

Pressure drop 12 PSI (0.83 BAR)  
at 4500 1/min (1189 USGPM)

Weight F353 - 27.51kg ( 60 lbs )

Peak surge pressure F353 - 305 PSI ( 21 BAR )

### 05 Ordering information

The basic F352 and F353 hydrant valves are lanyard operated shutoff valves with API, 4-inch outlets. Inlets mate 6 and 4-inch ANSI flanges respectively. The F352 includes a four mesh stoneguard as standard equipment. Both units are available with various modifications.