

Hydrant shutoff valve F352 and F353



01 F352 Hydrant shutoff valve

The Meggitt F352 hydrant shutoff valve is a lanyard operated 6-inch by 4-inch shutoff valve designed, tested, and found to fully comply with the requirements of the EI 1584 4th edition specifications. The Meggitt F353 hydrant shutoff valve is similar to the F352 except it has a 4 inch ASA inlet flange and is nearly 4-inches shorter.

The F352/F353 hydrants are provided with both an automatic and a manual means of closing off the main chamber to allow removal and maintenance of the servo assembly and strainer while the main valve is still under pressure.

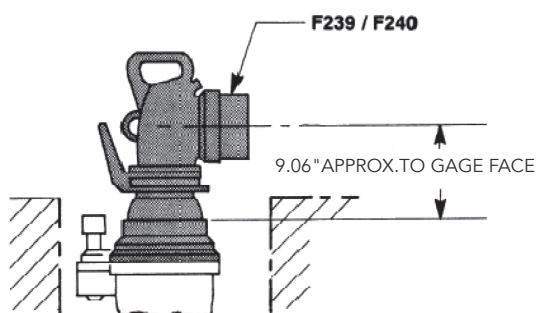
See note below.

* *Note!* Under hydrant should always be turned off prior to any maintenance.

02 Key Features

- Fully approved and qualified to EI 1584 4th edition specifications
- ANSI 150 lb. rated flange mates 6-inch ANSI 300 lbs. flange (F352)
- Portions of valve are maintainable in pit with valve under pressure
- Air deadman pilot control available
- Four mesh stone guard standard
- 20 mesh internal strainer optional
- 4-inch API outlet
- Fits in 18-inch diameter pit
- Available with dual pilot shutoff as a modification
- Unit meets NFPA 407 requirements

03 Key Specification & Dimensions



Mating components

Both the F352 and F353 are designed to be used with hydrant couplers. The Meggitt couplers conforming to this requirement are as follows:

- F239 Hydrant coupler - Upgraded
- F239Y
- F250- Upgraded
- F251
- CCMY8500M2 - Upgraded
- CCMY8500M3

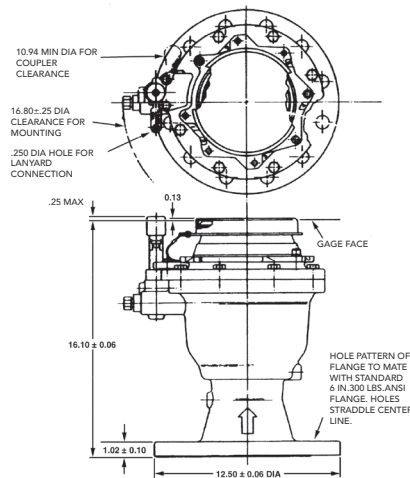
* *Note!* Opening and closing time may vary slightly with inlet pressure.

Hydrant shutoff valve F352 and F353

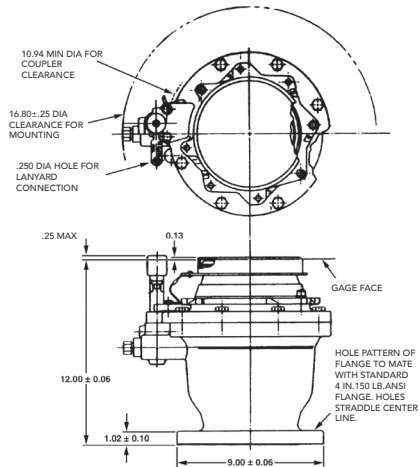
03 Key Specification & Dimensions

Operating characteristics

F352



F353



Max. operating pressure	275 PSI (18.7 BAR)
Opening time	5 to 10 seconds
Closing time	adjustable from two to five seconds (factory set at five seconds)
Pressure drop	F352 - 14.5 PSI (1.00 BAR) at 4500 1/min. (1189USGM)
Weight	F352 - 40Kg (88 lbs)
Peak surge pressure	F352 - 305 PSI (21 BAR)

Max. operating pressure	275 PSI (18.7 BAR)
Opening time	5 to 10 seconds
Closing time	adjustable from two to five seconds (factory set at five seconds)
Pressure drop	12 PSI (0.83 BAR) at 4500 1/min (1189 USGPM)
Weight	F353 - 27.51kg (60 lbs)
Peak surge pressure	F353 - 305 PSI (21 BAR)

04 Ordering information

The basic F352 and F353 hydrant valves are lanyard operated shutoff valves with API, 4-inch outlets. Inlets mate 6 and 4-inch ANSI flanges respectively. The F352 includes a four mesh stoneguard as standard equipment. Both units are available with various modifications.

05 Contact

Meggitt Shanghai Office

Address: Rm1107, Block A, No.319 XianXia Road, Changning District
Shanghai, China
Telephone: +86 21 6278 1096
Website: <https://www.meggitt.com/products-services/ground-fuelling>

Meggitt (Xiamen) Sensors & Control Co., Ltd.

Address: No. 230 South 5 Gaoqi Road, Xiamen 361006,
P.R. China
Telephone: +86 592 5733 666
Website: www.meggittxiamen.com/gfp