

PVMY2010M3 series hydrant pit valves



01 Key Features

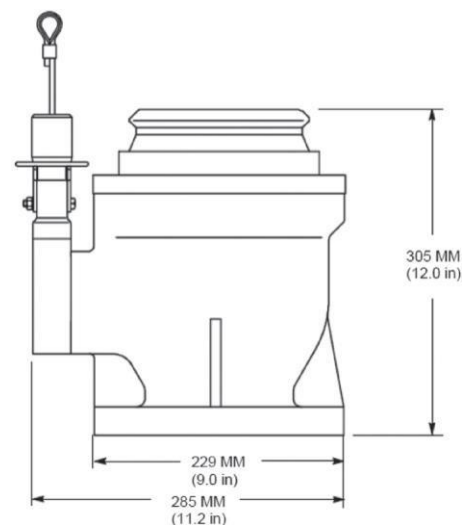
- Meets all requirements of the EI 1584 latest Edition recommendations
- Lanyard, air operated or dual pivot valve operation available
- Base flange conforms to the dimensions of ANSI 150
- Low overshoot volume
- Compatible with all hydrant couplers conforming to EI and API recommendations

02 Additional Features

- Greatly exceeds API strength requirements
- Low pressure drop
- API adaptor and pilot valve serviceable without depressurizing the hydrant system
- Pressure equalising valve for ease of coupling
- Suitable for use with under hydrant isolation valves

03 Key Specification & Dimensions

Maximum Safe Working Pressure	18.9 bar (275 psi)
Hydric Test Pressure	28.0 bar (412 psi)
Air Pressure(pneumatically operated pilot valves)	Minimum 2 bar (30 psi) Maximum 13.6 bar (200 psi)
Pressure Drop	1.112 bar (16.3 psi) (EI Specified test rig @ 1000 igpm (4500 lpm))
Closing time	3-5 seconds from 1000 igpm (4500 lpm), overshoot 140 liters
Opening time	0-90% of full flow 5-12 seconds
Temperature	Minimum operating temperature -25 °C Maximum operating temperature 70 °C
Weight	32 kg



PVMY2010M3 series hydrant pit valves



03 Key Specification & Dimensions



Materials

GBMY5050M2 pit box with PV2010M3 hydrant valve and under hydrant isolating valve

Body	Ductile cast iron internally treated with Copon EA-2217. Externally treated with Acrylic paint finish.
API Adaptor	Stainless steel as standard
Pilot Valve	Stainless steel and aluminum alloy.
Seals	PTFE, fluorocarbon and high nitrile

Optional Extras

To include the following optional items please add the relevant letter to the part number.

- A Air/Lanyard dual pilot valve
- C 6"x4"reducerspoolpiece
- G4 Stone guardstrainer 4"
- G6 Stone guardstrainer 6"
- F 20 mesh strainer
- L Long (18") lanyard (short lanyard supplied as standard)

Example: PVMY2010M3AF

Standard 4" API valve with dual pilot valve and filter.

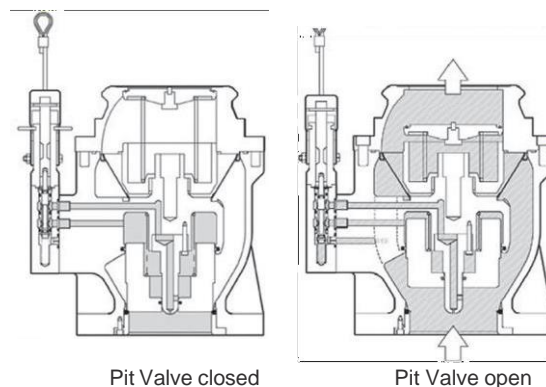
04 Operation

Pit Valve closed

With the pilot valve closed, fuel pressure from the hydrant line is applied to the bottom face of the piston. At the same time fuel at equal pressure passes through the internal drilling to the top of the piston. Due to an imbalance in surface area and with spring assistance the piston is held closed.

Pit Valve open

With the pilot valve opened fuel on top of the piston is released to the downstream side of the valve. Fuel pressure, on the bottom of the piston, now overcomes spring pressure forcing the piston off its seat and allowing fuel to flow with minimum pressure drop.



Pit Valve closed

Pit Valve open

05 Ordering information

- **PVMY2010M3** Standard valve with 4" API stainless steel adaptor and lanyard operations.