

Fuelling products

Bottom loading coupler

F228

F228 Bottom loading coupler



The Meggitt 4-inch bottom loading coupler is designed in accordance with API RP1004.

NOTES:

1. Modification A, K & N may be added to the basic F228 and all other modifications
2. Modification C may be used in conjunction with all other modifications
3. Modifications D, F, & G are separate modifications and cannot be combined with each other
4. See back page for dimension of basic style coupler

Key Features

- Push-on, pull-off, one-hand operation no rotation-no slots
- Fully interlocked - can't be opened unless locked and can't be removed unless closed
- Minimum disconnect spillage with dual seals within API specs
- Floating nose seal provides positive seal under operating conditions
- Dust protection sleeve seal
- Full flow 4-inch design - 4.7 PSI pressure drop thru F228/F433 at 1000 gpm
- Lightweight design - 13.6 pounds
- 4-inch NTT flanged inlet standard, other options available as listed below
- Mates adapters made to API PR1004 (See catalog page on API adapters)
- Standard seals recommended for all commercial automotive and aircraft fuels, Viton seals available
- Meggitt 4-inch swivels available as modifications
- Operating pressure - 120 PSI maximum, 350 PSI peak surge

Meggitt Control Systems

Our product competencies & services:
Aerospace valves | Thermal management solutions | Environmental control systems | Electro-mechanical products
Ground fuelling products | Energy products | Aftermarket services

MEGGITT
smart engineering for
extreme environments

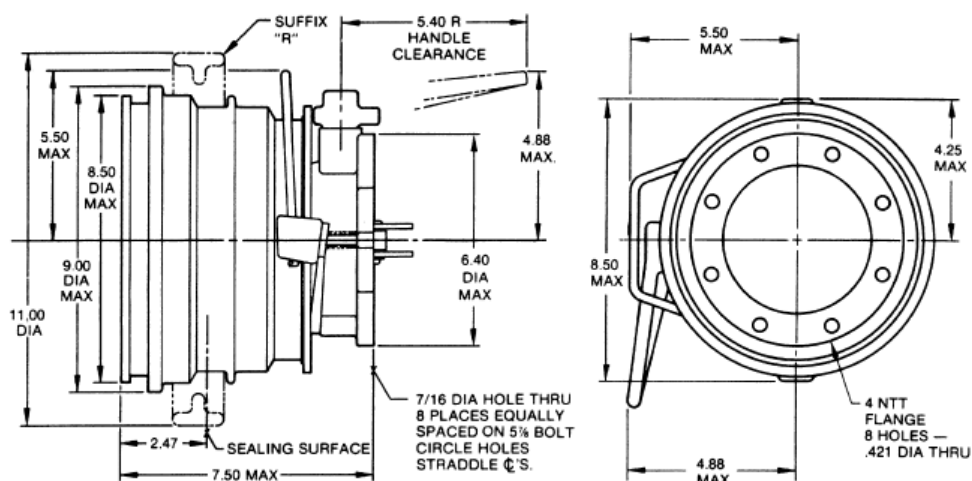
Fuelling products

Bottom loading coupler

F228

Key Dimensions

F228 Dimensions



(9.12 ON SUFFIX "A") (11.25 ON SUFFIX "B")
(10.5 ON SUFFIX "N") (8.50 ON SUFFIX "K")

Contact

Meggitt North Hollywood

12838 Saticoy Street
North Hollywood
California 91605-3505
USA

Tel: (818) 765-8160
Fax: (818) 759-2194

www.meggitt.com

Meggitt Control Systems

Our product competencies & services:
Aerospace valves | Thermal management solutions | Environmental control systems | Electro-mechanical products
Ground fuelling products | Energy products | Aftermarket services

MEGGITT
smart engineering for
extreme environments