

Fuelling products

Air set inline pressure control valves

F351(6-inch), F370(4-inch), F376(3-inch)

Pictured is an F370 with Victaulic inlet and outlet. It is representative of this series of valves.



Pressure control valves

The Meggitt family of line mounted control valves for aircraft refueller and hydrant service applications are available in 3, 4 and 6-inch sizes.

Special notes:

For proper operation sense line must be 0.375-inch I.D. minimum inlet piping must be straight for 15-inches and of same I.D. as valve.

Typical schematics illustrating the use of the line mounted control valves and other accessories are shown in the technical section. These schematics are not necessarily complete systems but are intended for reference only. One of the fine features of the Meggitt control valve is its low opening pressure leading to a low pressure loss. The curves shown illustrate these features.

Refer to the back page for specific details on each valve type.

Reverse flow is a standard design feature on this series of valves if defuelling is a requirement.

Additional features:

- Valve types - air set and spring set demand regulators, venturi sensed bypass regulators, relief valves and other combinations available to suit your system
- Accessories - additional pilots available to provide flow control, over pressure protection and electrical shutoff functions

Key Features

- Low pressure drop - piston style valve produces lowest pressure drop of any valve.
- Surge control - where required the unique servo design provides closing speeds faster than valves closures on any aircraft.
- Dead man control - fast, positive deadman shutoff
- Close control and stability - pressure and flow control extremely stable with narrow band control
- Air-set design - this Meggitt originated feature eliminates need for spring adjustments magnitude of air reference pressure determines fuel control pressure
- Corrosion protection - All aluminum valves with ORES (corrosion resistant steel) trim to provide maximum corrosion resistance. Some sizes available in Ductliron with ORES servos
- Copper free - no copper or copper alloy used in contact with fuel
- Custom mounting - most valves available with choice of inlet and outlet in any combination of Victaulic or flanged connections, flange standard

Meggitt Control Systems

Our product competencies & services:
Aerospace valves | Thermal management solutions | Environmental control systems | Electro-mechanical products
Ground fuelling products | Energy products | Aftermarket services

MEGGITT
smart engineering for
extreme environments

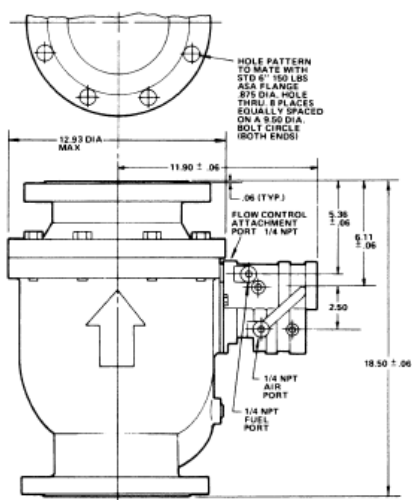
Fuelling products

Air set inline pressure control valves

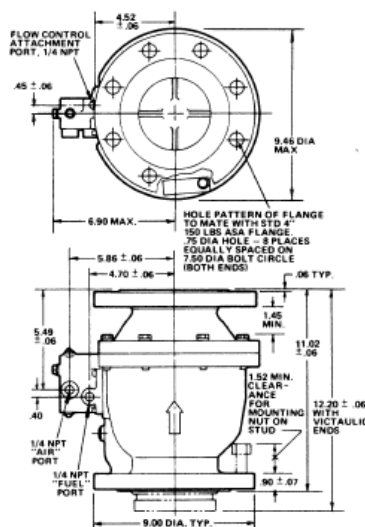
F351(6-inch), F370(4-inch), F376(3-inch)

Key Dimensions

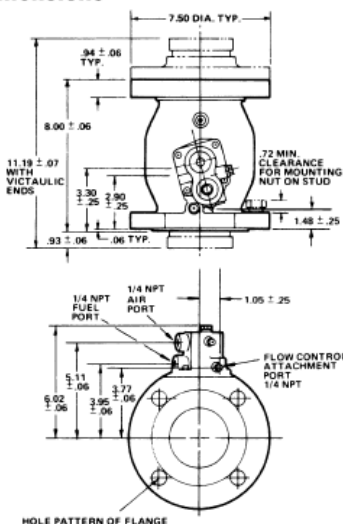
F351 Dimensions



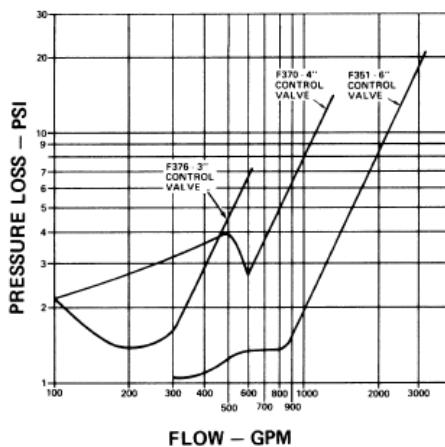
F370 Dimensions



F376 Dimensions



Flow Data



Contact

Meggitt North Hollywood

12838 Saticoy Street
North Hollywood
California 91605-3505
USA

Tel: (818) 765-8160
Fax: (818) 759-2194

www.meggitt.com

Meggitt Control Systems

Our product competencies & services:
Aerospace valves | Thermal management solutions | Environmental control systems | Electro-mechanical products
Ground fuelling products | Energy products | Aftermarket services

MEGGITT
smart engineering for
extreme environments