

Fuelling products

Rate of flow limiter pilot valve

F540-1 for 3-inch and 4-inch valves

F540-2 for 6-inch valves

F559 Overwing fuelling spout

F540 rate-of-flow pilot



F540

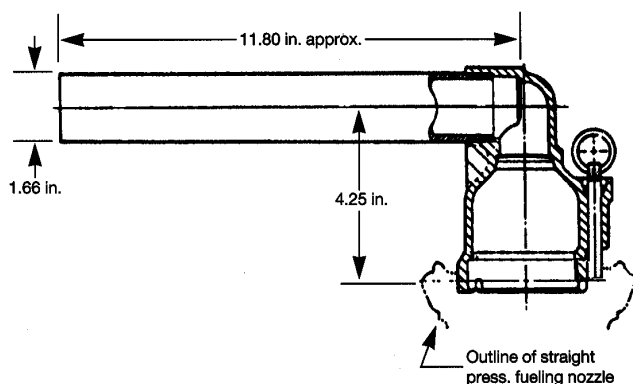
F559 emergency overwing fuelling spout

The F559 Spout is available for use with Meggitt F100, F105, F110, F114, F115, F116 and F117 for emergency overwing airplane fueling, and for filling miscellaneous vehicles. It is available with a safety locking lug to prevent inadvertent disconnect.

F540 rate-of-flow pilot

The Meggitt F540 rate-of-flow pilot is designed for use in those fuelling systems requiring a “topping” rate control to override the primary pressure control. This may be desired due to flow-limitations on meters or filters. It is easily adjusted during flow conditions, and is very simple, using a polished, plated piston (no diaphragm) with a Teflon seal for low friction and long life. A typical application schematic is shown on the back page.

Note: use F540-1 with 3 and 4-inch control valves and F540-2 with 6-inch control valves.



Key Features

- Simple construction - no moving parts to wear out
- Bayonet flange and locking lug for positive locking and sealing to nozzle
- Lightweight, aluminum alloy construction
- Standard 559 spout: 50 gpm flow at 50 psi nozzle inlet pressure
- Optional F559A spout: 250 gpm flow at 50 psi nozzle inlet pressure
- Optional F559B spout: 50 gpm - deletes locking lug
- Optional F559AB spout: 250 gpm - deletes locking lug

Meggitt Control Systems

Our product competencies & services:
Aerospace valves | Thermal management solutions | Environmental control systems | Electro-mechanical products
Ground fuelling products | Energy products | Aftermarket services

MEGGITT
smart engineering for
extreme environments

Fuelling products

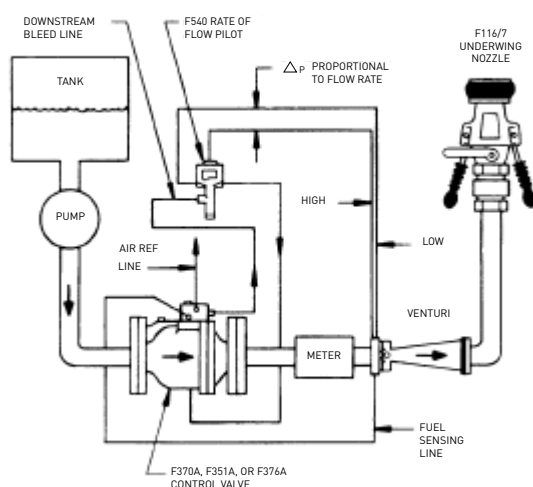
Rate of flow limiter pilot valve

F540-1 for 3-inch and 4-inch valves

F540-2 for 6-inch valves

F559 Overwing fuelling spout

Key Dimensions



F540 Flow control pilot (Weight 2.63 lbs)

Operation schematic

The F540 senses, at its HIGH and LOW ports, a pressure differential across any fixed restriction in the fuelling system, (which provides a pressure differential anywhere from two to 10 psi at the flow rate to be controlled) such as an orifice plate or venturi, and thereby indirectly senses flow. The INLET and OUTLET ports are connected in series into the integral downstream bleed line of the pressure control valve. The Meggitt F540 is easily adjusted under flow conditions by introducing a flow higher than desired and then turning the adjustment screw until the flow decreases to the desired point. The F540 can be mounted at any convenient location near the control valve.

Contact

Meggitt North Hollywood

12838 Saticoy Street
North Hollywood
California 91605-3505
USA

Tel: (818) 765-8160
Fax: (818) 759-2194

www.meggitt.com

Meggitt Control Systems

Our product competencies & services:
Aerospace valves | Thermal management solutions | Environmental control systems | Electro-mechanical products
Ground fuelling products | Energy products | Aftermarket services

MEGGITT
smart engineering for
extreme environments