

## Fuelling products

# Hydrant valves

## PVMY1000M3 hydrant pit valves

### PVMY1000M3 hydrant pit valve



### Key Features

- Compatible with all hydrant couplers conforming to EI and API recommendations
- Meets all the requirements of the EI and API 3rd Edition recommendations
- 4-inch stainless steel API adaptor
- Pressure equalising valve for ease of coupling

### Additional features

- 6-inch base flange drilled in accordance with ANSI 300
- Automatic thermal relief prevents pressure build up
- Lanyard, air operated or dual pilot valve
- Adaptor and pilot valve may be serviced without depressurizing the hydrant

## Meggitt Control Systems

**Our product competencies & services:**  
Aerospace valves | Thermal management solutions | Environmental control systems | Electro-mechanical products  
Ground fuelling products | Energy products | Aftermarket services

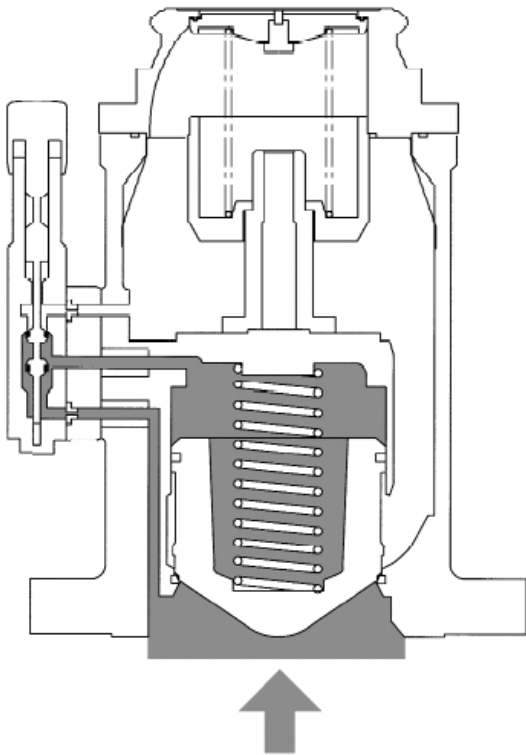
**MEGGITT**  
smart engineering for  
extreme environments

## Fuelling products

# Hydrant valves

## PVMY1000M3 hydrant pit valves

### Specification

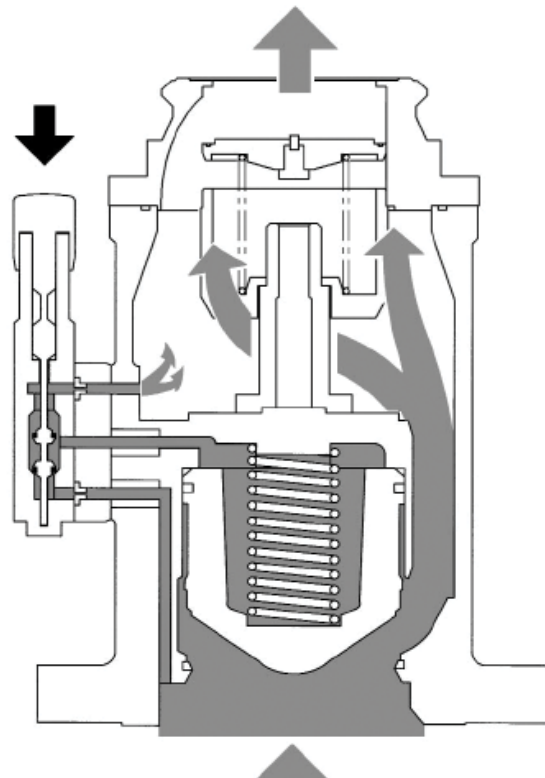


**Figure 2 - Pit Valve open**

With the pilot valve opened fuel on top of the piston is released to the downstream side of the valve. Fuel pressure, on the bottom of the piston, now overcomes spring pressure forcing the piston off its seat and allowing fuel to flow with minimum pressure drop.

**Figure 1 - Pit Valve closed**

With the pilot valve closed, fuel pressure from the hydrant line is applied to the bottom face of the piston. At the same time fuel at equal pressure passes through the internal drilling to the top of the piston. Due to an imbalance in surface area and with spring assistance the piston is held closed.



## Meggitt Control Systems

Our product competencies & services:  
Aerospace valves | Thermal management solutions | Environmental control systems | Electro-mechanical products  
Ground fuelling products | Energy products | Aftermarket services

**MEGGITT**  
smart engineering for  
extreme environments

## Fuelling products

# Hydrant valves

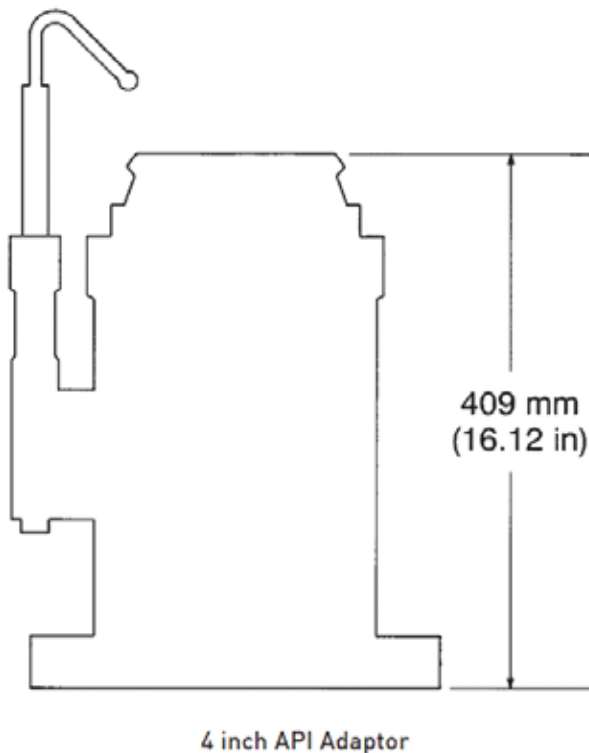
## PVMY1000M3 hydrant pit valves

### Specification

#### Materials

Body  
Anodised aluminium alloy, Stainless steel  
and PTFE with Fluorocarbon and High Nitrile  
seals.

Four inch stainless Steel API adaptor.



Maximum Safe Working Pressure  
18.9 bar (275 psi)

Hydrostatic Test Pressure  
28.0 bar (421 psi)

Air Pressure (pneumatically operated pilot valves)  
- Maximum 2 bar (30 psi)  
- Maximum 13.6 bar (200 psi)

Pressure drop  
(IP Specified test rig @ 1000 IGM (1200 US gpm))  
Without 20 mesh Strainer-1.12 bar (16.3psi)  
With 20 mesh Strainer-1.25 bar (18.2 psi)

Opening Time  
0-90% of full flow 5-10 seconds

Closing Time  
8.1 bar (120 psi) inlet pressure and 1000 IGM (1200  
US gpm) 2-5 seconds, over shoot 40lmp gallons  
maximum

Temperature  
Minimum operating temperature -25°C  
Maximum operating temperature 135°C

## Meggitt Control Systems

**Our product competencies & services:**  
Aerospace valves | Thermal management solutions | Environmental control systems | Electro-mechanical products  
Ground fuelling products | Energy products | Aftermarket services

**MEGGITT**  
smart engineering for  
extreme environments

## Fuelling products

# Hydrant valves

## PVMY1000M3 hydrant pit valve

### Key Dimensions



Pneumatically operated pilot valve

### Ordering Information

#### PVMY1000M3

- Standard valve with 4" API stainless steel adaptor and short lanyard

### Optional Extras

To include the following optional items please add the relevant letter to the part number

- A - Air/lanyard dual pilot valve
- F - 20 mesh strainer
- L - Long (18") lanyard (short lanyard supplied as standard)

**EXAMPLE:** PVMY1000M3A- Standard 4" API valve with dual pilot valve.



Long (18") lanyard

### Contact

#### Meggitt North Hollywood

12838 Saticoy Street  
North Hollywood  
California 91605-3505  
USA

Tel: (818) 765-8160  
Fax: (818) 759-2194

[www.meggitt.com](http://www.meggitt.com)

## Meggitt Control Systems

### Our product competencies & services:

Aerospace valves | Thermal management solutions | Environmental control systems | Electro-mechanical products  
Ground fuelling products | Energy products | Aftermarket services

**MEGGITT**  
smart engineering for  
extreme environments