



Fuelling products

Couplings

3-inch self sealing industrial couplings

Specification

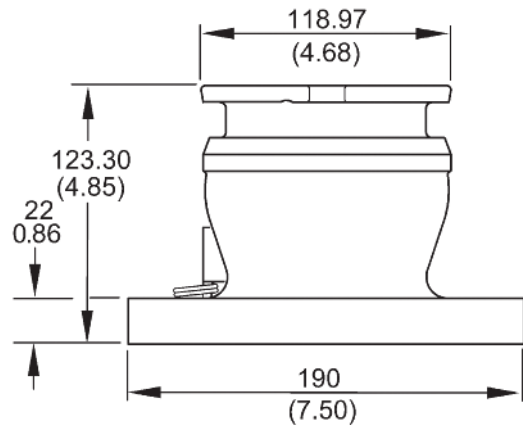
3 - TANK UNIT FLANGED VERSION

CCMY 6350N*

Materials	Gunmetal, St/Steel, structural plastic
Weight	6.5 kg (14.5lb)
Max. Working Pressure	175 psi (12 bar)
Test Pressure	265 psi (18 bar)

Flanged tank units are normally supplied undrilled, but can be drilled to customer requirements on request

3



Dimensions in millimeters (inches)

4 - DUST CAP FOR HOSE UNIT

CCMY 4006*

Material	Aluminium Alloy-
Weight	0.25 kg (0.56 lb)

4



5 - LOCKING CAP FOR TANK UNIT

CCMY 4050*

Material	Aluminium Alloy
Weight	0.17 kg (0.37 lb)

5



* Seals
Nitrile as standard for fluorocarbon change suffix to V

Meggitt Control Systems

Our product competencies & services:
Aerospace valves | Thermal management solutions | Environmental control systems | Electro-mechanical products
Ground fuelling products | Energy products | Aftermarket services

MEGGITT
smart engineering for
extreme environments

Fuelling products

Couplings

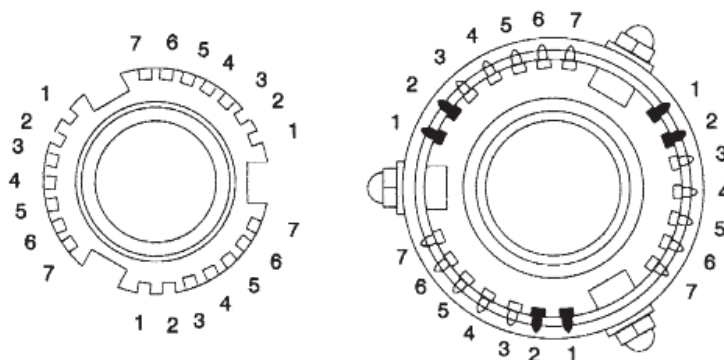
3-inch self sealing industrial couplings

Key Dimensions

SELECTIVITY

To avoid product contamination caused by connecting a hose unit to the wrong tank unit, selective versions of the hose and tank units are available.

Selective Position Letter	A	B	C	D	E	F	G
Pin & Slot Position	1&2	1&3	1&4	1&5	1&6	1&7	2&3
Selective Position Letter	H	J	K	L	M	N	P
Pin & Slot Position	2&4	2&5	2&6	2&7	3&4	3&5	3&6
Selective Position Letter	Q	R	S	T	U	V	W
Pin & Slot Position	3&7	4&5	4&6	4&7	5&6	5&7	6&7



Contact

Meggitt North Hollywood

12838 Saticoy Street
North Hollywood
California 91605-3505
USA

Tel: (818) 765-8160

Fax: (818) 759-2194

www.meggitt.com

Meggitt Control Systems

Our product competencies & services:

Aerospace valves | Thermal management solutions | Environmental control systems | Electro-mechanical products
Ground fuelling products | Energy products | Aftermarket services

MEGGITT
smart engineering for
extreme environments