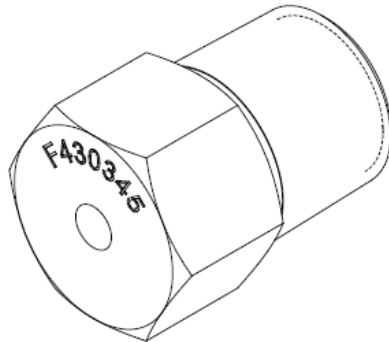


Fuelling products

# Vacuum Breaker

## F430345

### F430345 Vacuum Breaker

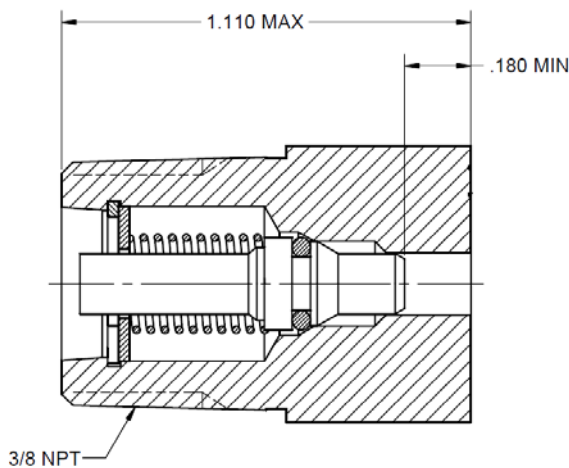


The F430345 is Meggitt's new Vacuum Breaker and is a replacement to the F509. The new design offers safety from accidental opening of the valve during fueling operations. During defueling operations, the vacuum breaker will open and prevent the hose collapsing by minimizing the amount of vacuum pressure.

### Key features

- For use with all single point nozzles (F116, F117, and F145).
- 3/8 NPT Thread
- Fluorocarbon seal that is easily replaced
- Cracking Pressure – (3 ± 1.psig), (6 ± 2 in. HG )
- Allowed vacuum – (14 psig), (28 in. HG)
- Maximum operating pressure - (120 psig), (8.27 bar)
- Operating temperature range – (- 40 to 165 F), (- 40 to 74C)

### Key Dimensions and Material Data



**Materials:**  
 Body: Aluminum  
 Poppet: Aluminum  
 O-Ring: Fluorocarbon

### Contact

**Meggitt Control Systems**  
 12838 Saticoy St  
 North Hollywood  
 California 91605-3505  
 USA  
 Telephone: (818) 765-8160  
 FAX: (818) 759-2194  
[www.meggitt.com](http://www.meggitt.com)

## Meggitt Control Systems

Our product competencies & services:  
 Aerospace valves | Thermal management solutions | Environmental control systems | Electro-mechanical products  
 Ground fuelling products | Energy products | Aftermarket services

**MEGGITT**  
 smart engineering for  
 extreme environments