

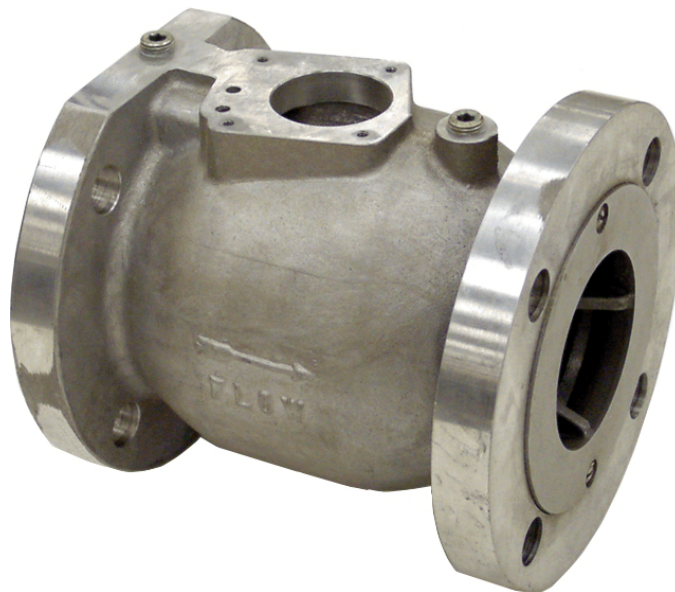
Illustrated Parts List

3 INCH VALVE BODY AND PISTON ASSEMBLY

M302 Series

IPLM302

Revision 2.0
26 November 2013



Meggitt (North Hollywood), Inc. Proprietary Information

The information contained in this document is disclosed in confidence. It is the property of Meggitt (North Hollywood), Inc. and shall not be used, disclosed to others, or reproduced in whole or in part without the express written consent of Meggitt (North Hollywood), Inc. If consent is given, this notice shall appear in any such reproduction. These commodities, technology, or software were exported from the United States in accordance with the export administration regulations. Diversion contrary to U.S. law is prohibited.

SENSITIVE BUT UNCLASSIFIED-EXPORT CONTROLLED-EAR RESTRICTED.

These commodities, technology or software are exported from the United States of America in accordance with the Export Administration Regulations. ECCN EAR99. Diversion contrary to U.S. law is prohibited.

Copyright © 2013 Meggitt (North Hollywood), Inc.



Meggitt Fuelling Products
Illustrated Parts List (IPLM302)
3-Inch Valve Body and Piston Assembly

TABLE OF CONTENTS

<u>SUBJECT</u>	<u>PAGE</u>
INTRODUCTION.....	1

LIST OF ILLUSTRATIONS

<u>FIGURE</u>	<u>PAGE</u>
IPL Figure 1. 3-Inch Valve Body and Piston Assembly.....	2

USE OR DISCLOSURE OF DATA ON THIS PAGE IS SUBJECT TO THE RESTRICTIONS ON THE TITLE PAGE OF THIS DOCUMENT



Energy products

Meggitt Fuelling Products Illustrated Parts List (IPLM302) 3-Inch Valve Body and Piston Assembly

INTRODUCTION

1. General

This section lists, describes, and illustrates all detail parts required for maintenance support of the 3-Inch Valve Body and Piston Assembly. The valve is manufactured by Meggitt (North Hollywood), Inc., 12838 Saticoy Street, North Hollywood, California 91605.

2. Scope of Information

The parts list is arranged in the general order of disassembly. The listing is indented to show the relationship between each part and its next higher assembly. Item numbers used in the parts list are keyed to the corresponding numbers of the accompanying illustration.

A. MODIFICATION CODE

The modification code indicates the parts usage with respect to the end item. When the MOD column is blank, the part usage is applicable to all versions unless otherwise specified in the DESCRIPTION column.

B. How to Identify a Part

When the part number is known: Refer to the parts list for the item number, description, modification codes, and quantity. Refer to the illustration to make sure of the physical appearance and location of the part.

When the part number is not known: Examine the illustrations to identify the part by physical appearance and location. Refer to the accompanying parts list to get the part number, nomenclature, modification codes, quantity, etc.

C. Abbreviations

ASSY	Assembly
FIG.	Figure
IPL	Illustrated Parts List
MOD	Modification

USE OR DISCLOSURE OF DATA ON THIS PAGE IS SUBJECT TO THE RESTRICTIONS ON THE TITLE PAGE OF THIS DOCUMENT

26 Nov 2013

Revision 2.0

1

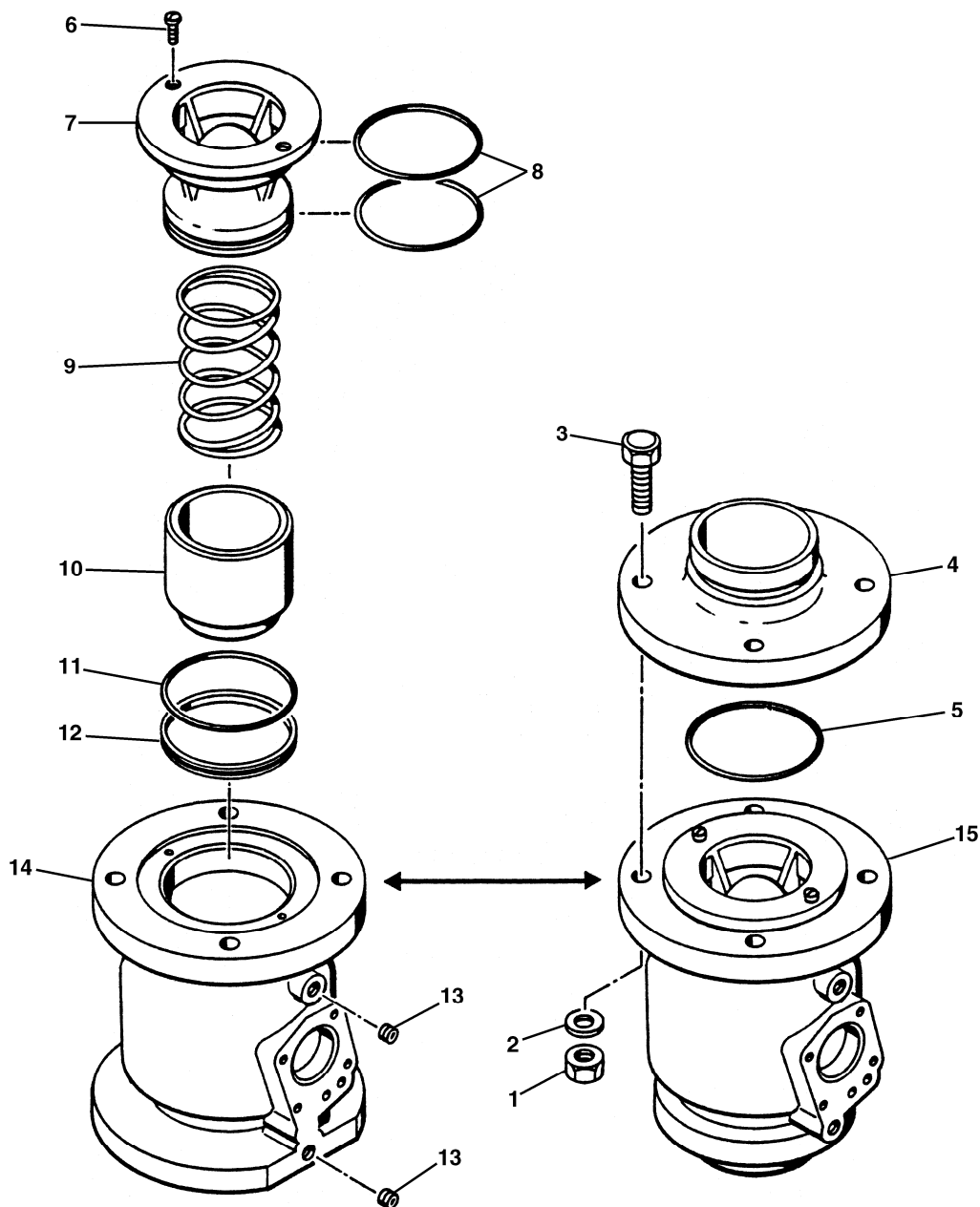
Meggitt Control Systems

Our product competencies & services:
Aerospace/defense | Thermal management solutions | Train/aircraft control systems | Electro-mechanical products
Ground fueling products | Energy products | Aftermarket services

MEGGITT
smart engineering for
extreme environments

Energy products

Meggitt Fuelling Products
Illustrated Parts List (IPLM302)
3-Inch Valve Body and Piston Assembly



IPL Figure 1. 3-Inch Valve Body and Piston Assembly

USE OR DISCLOSURE OF DATA ON THIS PAGE IS SUBJECT TO THE RESTRICTIONS ON THE TITLE PAGE OF THIS DOCUMENT

26 Nov 2013

Revision 2.0

2

Meggitt Control Systems

Our product competencies & services:
Aerospace valves | Thermal management solutions | Train air traffic control systems | Electro-mechanical products
Ground fueling products | Energy products | Aftermarket services

MEGGITT
smart engineering for
extreme environments

Energy products

Meggitt Fuelling Products
Illustrated Parts List (IPLM302)
3-Inch Valve Body and Piston Assembly

FIG. ITEM	PART NUMBER	DESCRIPTION	MOD CODES	UNITS PER ASSY
VALVE BODY AND PISTON ASSEMBLY, 3-INCH				
1 -	(Basic)	VALVE BODY AND PISTON ASSEMBLY, 3-INCH.....		REF
1	CAN315-10R	. NUT, PLAIN HEX	D	4
2	CAN935-1016	. WASHER, LOCK.....	D	4
3	CAN10-22A	. BOLT, MACHINE	D	4
4	2691979-1	. FITTING, OUTLET (VICTAULIC).....	D	1
5	2661058A238	. PACKING, PREFORMED	D	1
6	CAN526C1032-6	. SCREW, MACHINE		2
7	2691977-1	. GUIDE, PISTON.....		1
8	2661058A152	. PACKING, PREFORMED		2
9	2691980	. SPRING, COMPRESSION		1
10	2691976-1	. PISTON, VALVE		1
11	2661058BD239	. PACKING, PREFORMED		1
12	4631062-239	. SEAL		1
13	CAN932-3	. PLUG.....		2
14	2691972-1	. BODY, VALVE (FLANGED INLET)		1
15	2691972-19	. BODY, VALVE (VICTAULIC INLET).....	C	1

- Not Illustrated

USE OR DISCLOSURE OF DATA ON THIS PAGE IS SUBJECT TO THE RESTRICTIONS ON THE TITLE PAGE OF THIS DOCUMENT

26 Nov 2013

Revision 2.0

3

Meggitt Control Systems

Our product competencies & services:
Aerospace products | Thermal management solutions | Train remote control systems | Electro-mechanical products
Ground fuelling products | Energy products | Aftermarket services

MEGGITT
smart engineering for
extreme environments



Energy products

Meggitt Fuelling Products Illustrated Parts List (IPLM302) 3-Inch Valve Body and Piston Assembly

MODEL VARIATIONS	
MOD LETTER	DESCRIPTION
C	Changes body to body with Victaulic inlet.
D	Adds Victaulic outlet fitting.

MAINTENANCE NOTES	
NOTE	MAINTENANCE INFORMATION
1	Before installation; the new seal (IPL Figure 1, 12) shall be roll-formed by hand to fit over the packing (11).

REPLACEMENT PARTS KITS AVAILABLE		
KIT PART NUMBER	DESCRIPTION	ITEMS IN KIT (IPL Figure 1)
KITF386-1	Seals	8, 11, 12
KITF386-9	Seals	5, 8, 11, 12

USE OR DISCLOSURE OF DATA ON THIS PAGE IS SUBJECT TO THE RESTRICTIONS ON THE TITLE PAGE OF THIS DOCUMENT

26 Nov 2013

Revision 2.0

4

Meggitt Control Systems

Our product competencies & services:
Aerospace valves | Thermal management solutions | Train control & control systems | Electro-mechanical products
Ground fuelling products | Energy products | Aftermarket services

MEGGITT
smart engineering for
extreme environments