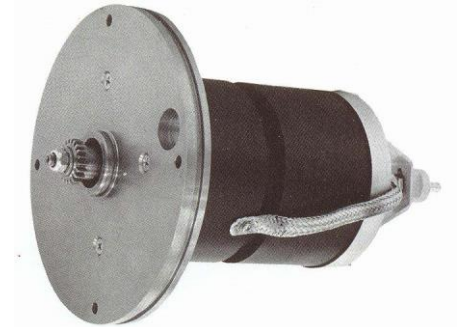


AC Generator Model 5177

Model 5177 is a two bearing self-contained 6 phase homopolar inductor generator designed for minimum ripple. The separate Power Conditioning Unit (PCU) contains a parallel bridge rectifier and a field-control voltage regulator. The generator is adapted to a small 700 pound thrust turbine engine used in an aerial unmanned target vehicle.



The PCU has the following specifications:

- Output power is 1.2 KW
- Voltage is 28 VDC +/- VDC
- Ripple is 2V peak
- Cooling occurs .8 lbs/ min @ 89 C
- Compliance: MIL-STD-704

Specifications

Voltage:

22 V

Frequency:

1025 to 1465 Hz

Speed Range:

20,510 to 29,300 RPM

Weight:

9.2 lbs

Overspeed:

35,000 RPM for 5 minutes

Ambient:

-54 C to 104 C

Efficiency:

84% @ rated load

Power factor:

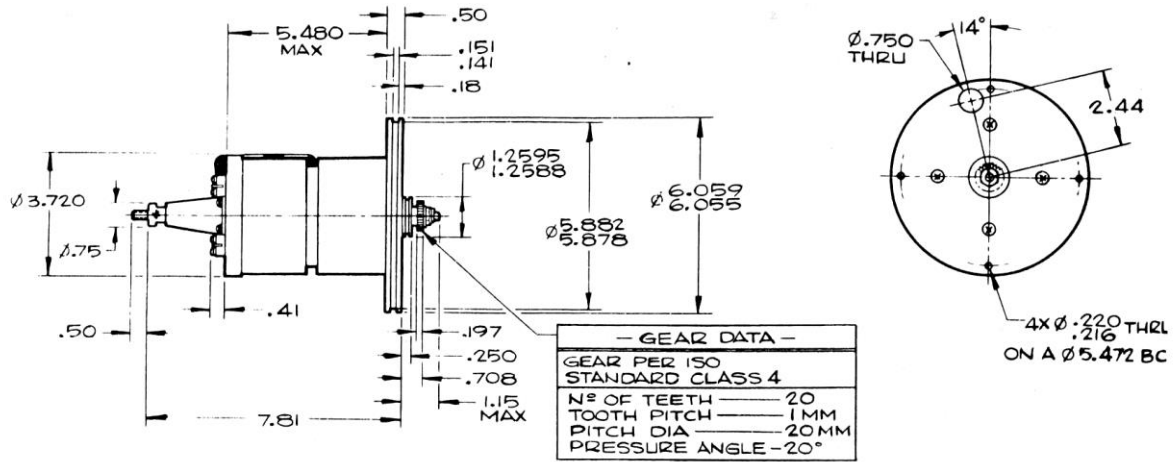
.95 LAG to unity

OEKO

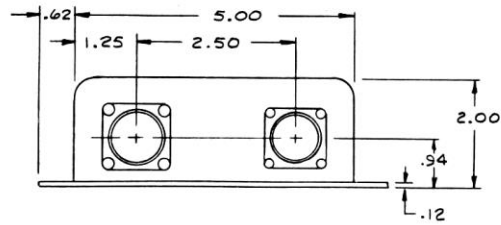
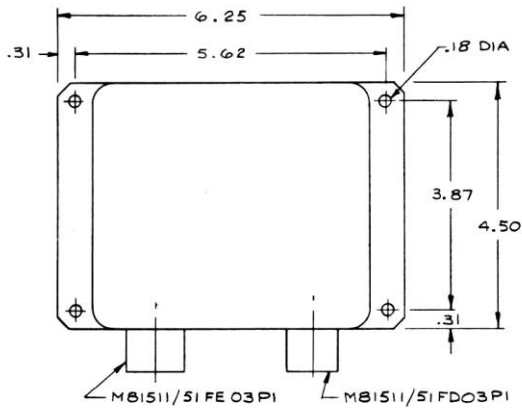
Our product competencies and services:
Permanent magnet alternators | [Permanent magnet generators](#) | AC/DC brushless starter generators | Aircraft light dimmers
Power supplies | Magnetics | Sensors | Meters

© OEKO | 2015

MEGGITT
smart engineering for
extreme environments



GENERATOR



OECO

4607 SE International Way
 Milwaukie OR 97222
 USA

Tel: +1 (503) 659 5999

www.oeco.com
 www.meggitt.com