



AC Generator Model 5256

Model 5256 electrical power generator system consists of an AC generator and a generator control unit. The generator is brushless, wound field, synchronous AC generator with a separate 500 VA permanent magnet generator (PMG) section that supplies power for aircraft protective equipment.

In addition, the PMG, along with the integrated exciter, provides self-excitation and output voltage control. The separately packaged generator control unit contains the PMG rectifier, main field regulator and aircraft bus contactor controls. The protective functions are also built into this control unit.



Specifications

Voltage:

115/200 VAC

Frequency:

400 HZ

Speed Range:

11,400 to 13,200 RPM

Weight:

15.9 lbs

Overspeed:

15,000 RPM for 1 hour

Ambient:

-55 C to 70 C

Efficiency:

73% @ rated load

Altitude:

0 to 50,000 ft

Rating:

5 KVA

Compliance:

MIL-STD-704D

Cooling:

Self-ventilated internal fan

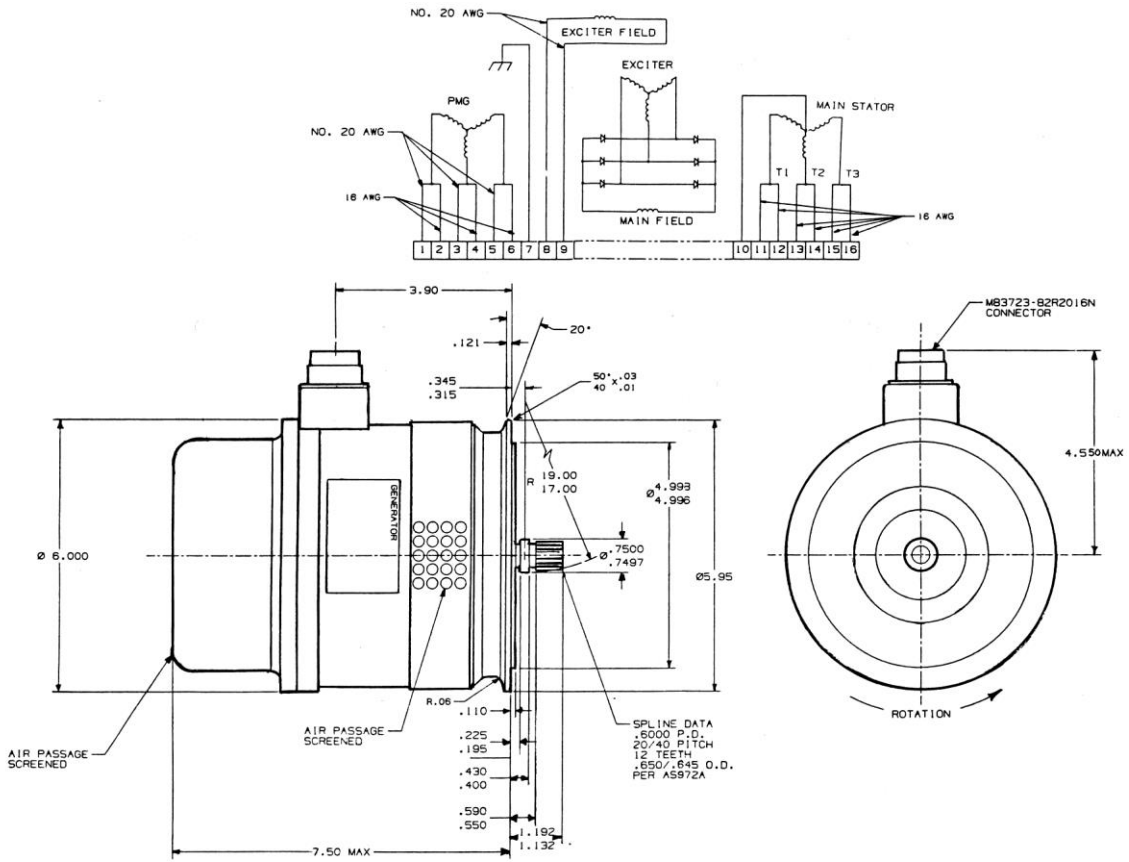
Power factor:

.75 LAG to unity

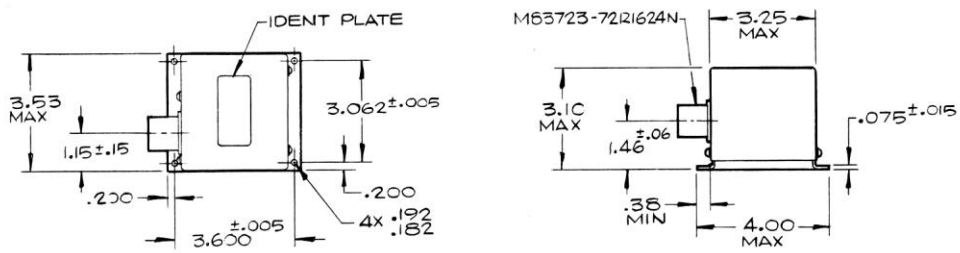
OEKO

Our product competencies and services:
Permanent magnet alternators | Permanent magnet generators | AC/DC brushless starter generators | Aircraft light dimmers
Power supplies | Magnetics | Sensors | Meters

© OEKO | 2015



GENERATOR



GENERATOR CONTROL UNIT

OECO

4607 SE International Way
Milwaukie OR 97222
USA

Tel: +1 (503) 659 5999

www.oeco.com
www.meggitt.com