



AC Generator Model 5301

Model 5301 includes a rotor/stator frameless set. It is installed within a fuel pump cavity and provides power to a full-authority, digital engine controller (FADEC).

The rotor is completely encapsulated and features 12 rare earth magnets. The stator is hand-wound for high-power densities and is protected by a stainless steel jacket against exposure to fuel.



Specifications

Amps:

.9 A

Weight:

.60 lbs

Cooling:

Air / oil bath

Ambient:

-54 C to 149 C

Overspeed:

13,695 RPM for 10 minutes

Altitude:

0 to 35,000 ft

Poles:

12

Life:

7.5 years

Overload:

80 Amps

Compliance:

MIL-STD-461B

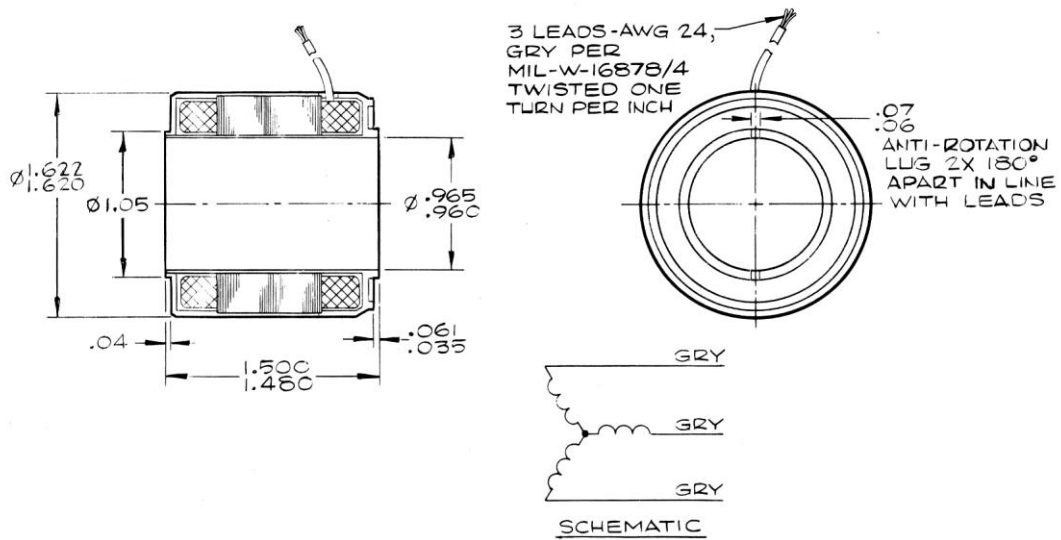
MIL-STD-462

MIL-STD-810C

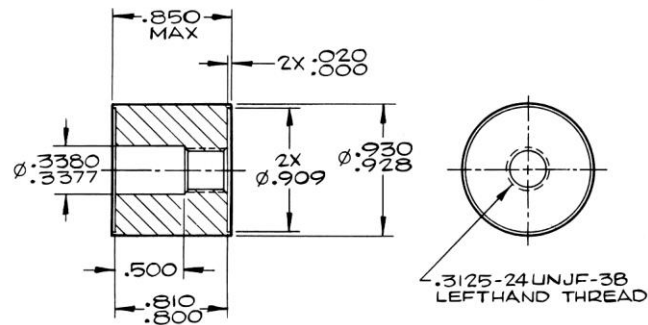
MIL-STD-202

OEKO

Our product competencies and services:
Permanent magnet alternators | [Permanent magnet generators](#) | AC/DC brushless starter generators | Aircraft light dimmers
Power supplies | Magnetics | Sensors | Meters



STATOR ASSEMBLY



ROTOR ASSEMBLY

OEEO

4607 SE International Way
 Milwaukie OR 97222
 USA

Tel: +1 (503) 659 5999

www.oeco.com
 www.meggitt.com