



AC Generator Model 5525

Model 5525 windshield electrical de-icing system consists of two AC generators and two dual channel windshield heat controllers.

The generator is a self-cooled, brushless design, delivering up to 25 Amps from a single phase across its speed range.

The dual channel controller regulates the power delivered to each windshield from the generators.



Specifications

Voltage:

200 VAC

Frequency:

210 to 420 HZ

Speed Range:

6300 to 12,600 RPM

Weight:

21 lbs

Overspeed:

14,000 RPM

Regulation:

200 +/- 6 VAC

Efficiency:

75% @ rated load

Compliance:

MIL-I-8500
FAR PART 25
DO-160C
AC 20-136

Rating:

5 KVA

Power factor:

.95 LAG to unity

Cooling:

Internal fan

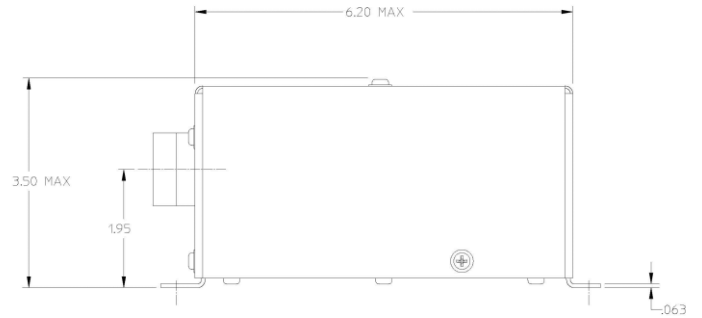
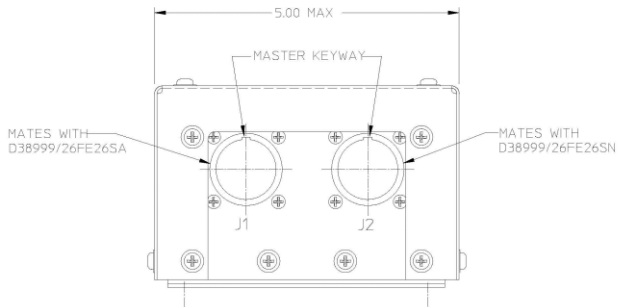
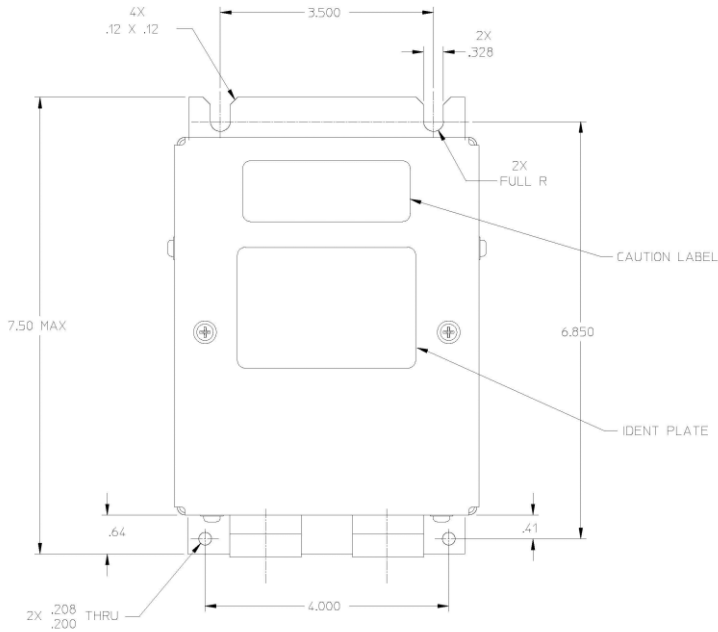
Ambient:

-55 C to 71 C

OEKO

Our product competencies and services:
Permanent magnet alternators | Permanent magnet generators | AC/DC brushless starter generators | Aircraft light dimmers
Power supplies | Magnetics | Sensors | Meters

© OEKO | 2015



OECO

4607 SE International Way
Milwaukie OR 97222
USA

Tel: +1 (503) 659 5999

www.oeco.com
www.meggitt.com