



# AC Generator Model 5609

Model 5609 electrical power generation system comprises an AC generator and a generator control unit (GCU).

The 400-hertz, alternating current, three phase, four wire generator is a self-excited, self-cooled, brushless design. The machine incorporates a permanent magnet generator (PMG) and an exciter generator for brushless operation, self-excitation and precise output voltage control.

The GCU regulates the generator voltage and monitors system performance. The GCU also controls the system power contactor and provides system protective functions, as listed.



## Specifications

### Voltage:

115/200 VAC

### Frequency:

400 HZ

### Speed Range:

10,800 to 13,200 RPM

### Weight:

21.5 lbs

### Overspeed:

15,000 RPM

### Regulation:

112.5 to 117.5 VAC

### Efficiency:

85% @ rated load

### Compliance:

MIL-STD-454  
MIL-G-21480A  
MIL-STD-461  
MIL-E-5272  
MIL-E-5400  
MIL-E-81910

### Ambient:

-55 C to 66 C

### Cooling:

Internal fan

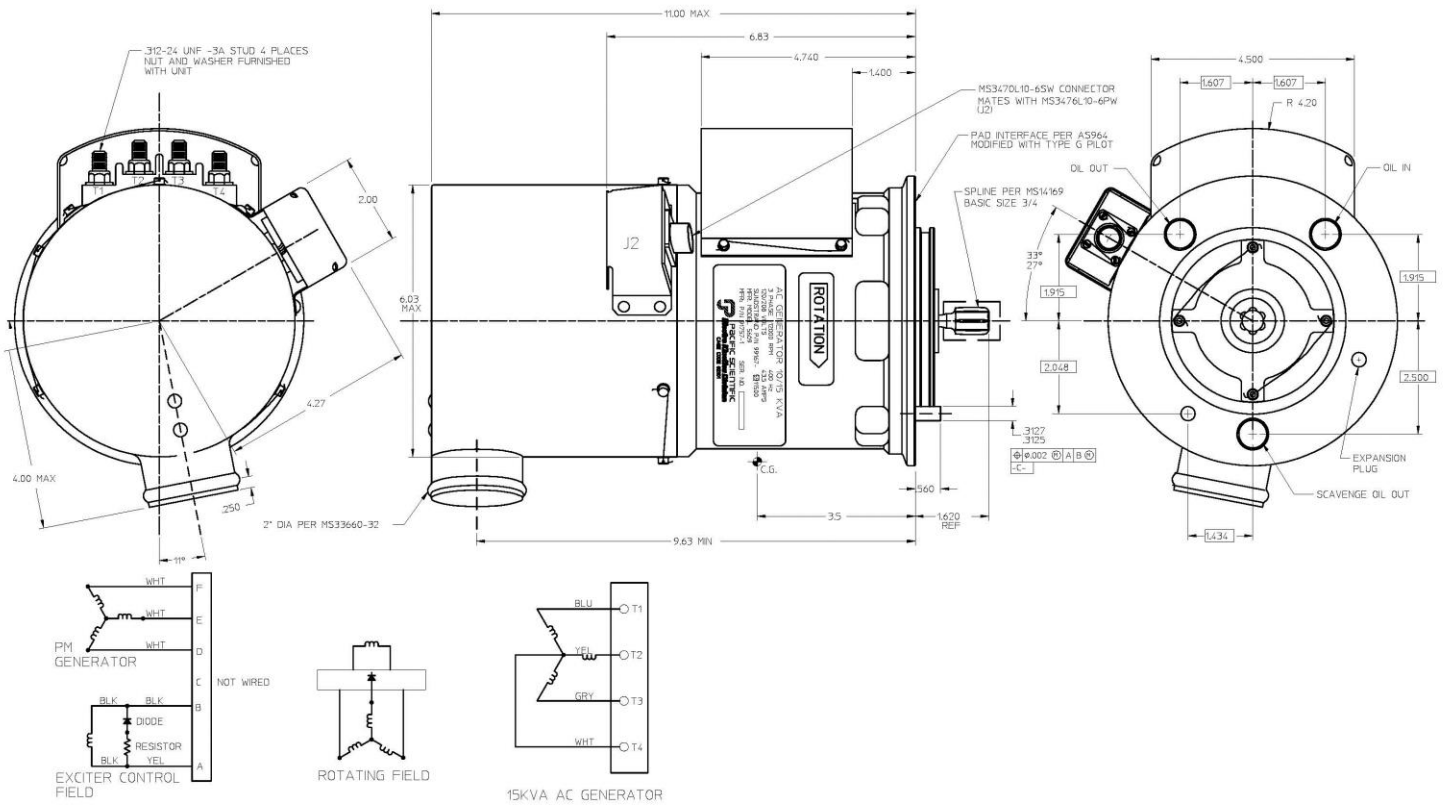
### Power Factor

.75 Lag to unity

## OEKO

Our product competencies and services:  
Permanent magnet alternators | Permanent magnet generators | [AC/DC brushless starter generators](#) | Aircraft light dimmers  
Power supplies | Magnetics | Sensors | Meters

© OEKO | 2015



**OECO**

4607 SE International Way  
 Milwaukie OR 97222  
 USA

Tel: +1 (503) 659 5999

www.oeco.com  
 www.meggitt.com