



PM generator dual DC output Model 5613

Model 5613 permanent magnet generator is designed to provide DC electrical power for long range missiles. The unit comprises a rotor assembly and a stator/housing assembly. The rotor assembly is constructed with high-energy rare earth magnets that are assembled onto a hub and contained with a high-strength retaining sleeve. The stator/housing assembly is comprised of a laminated stack with high temperature copper windings that are insulated from the stack and then assembled into the housing. A rectifier/filter stage attached to the stator/housing completes the unit.



Specifications

Output voltage:

28 VDC nominal
135 VDC nominal

Cooling:

Convection air

Overspeed:

44,440 RPM

Speed range:

35,000 to 41,200 RPM

Weight:

7 lbs

Efficiency:

85% at full load

Altitude:

0 to 50,000 ft

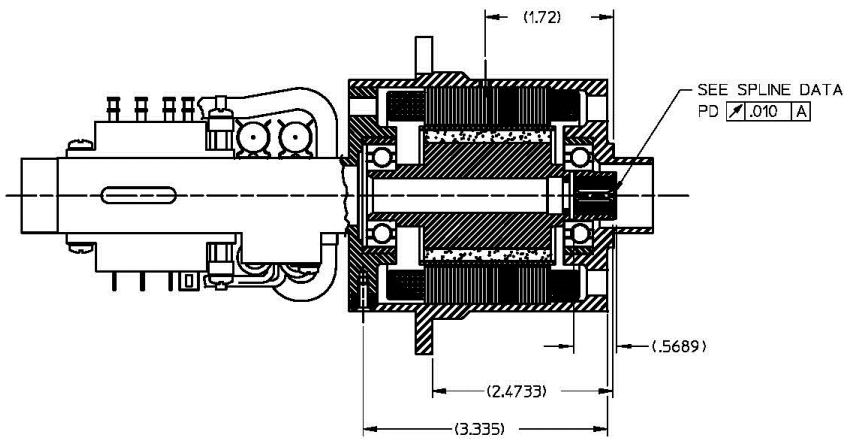
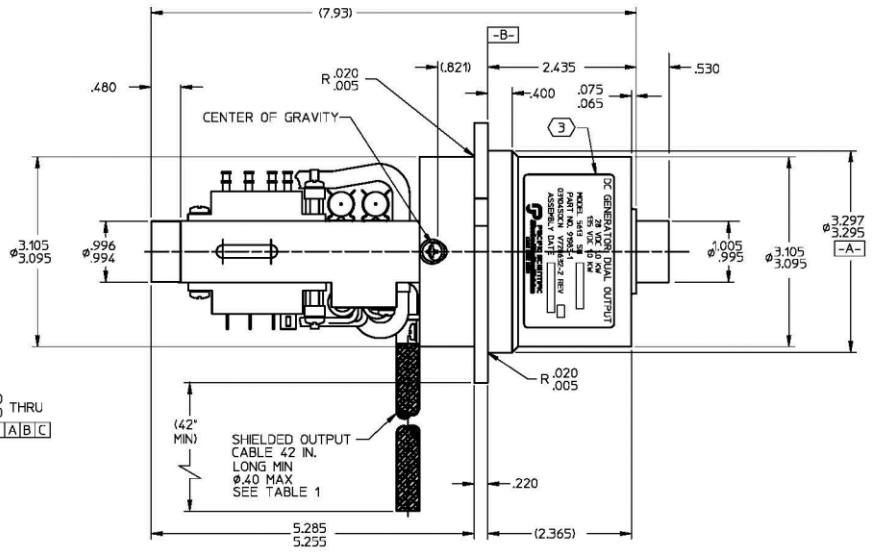
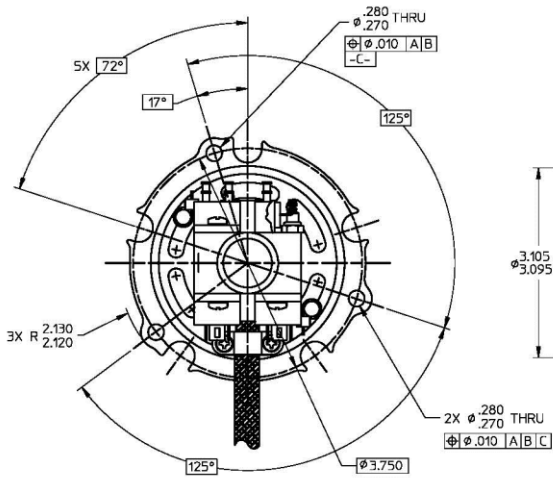
Compliance:

MIL-STD-704

OEKO

Our product competencies and services:
Permanent magnet alternators | [Permanent magnet generators](#) | AC/DC brushless starter generators | Aircraft light dimmers
Power supplies | Magnetics | Sensors | Meters

© OEKO | 2015



SECTION A-A

NOTE: SOME FEATURES ROTATED IN VIEW FOR CLARITY

